

FAG

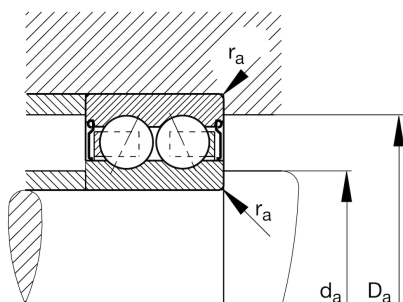
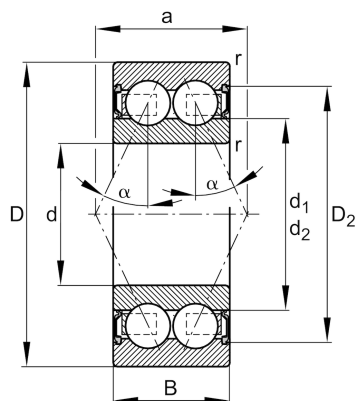
**3214-B-2RSR-TVH**

Angular contact ball bearing

Schaeffler ID:  
0384742390000

Angular contact ball bearing 32..-B-2RSR-TVH, double row, seals, plastic cage

## Technical information

**Main Dimensions & Performance Data**

d	70 mm	Bore diameter
D	125 mm	Outside diameter
B	39,7 mm	Width
$C_r$	82.000 N	Basic dynamic load rating, radial
$C_{0r}$	79.000 N	Basic static load rating, radial
$C_{ur}$	4.100 N	Fatigue load limit, radial
$n_G$	3.100 1/min	Limiting speed
	1,68 kg	Weight

**Dimensions**

$r_{min}$	1,5 mm	Minimum chamfer dimension
$D_2$	110,7 mm	Caliber diameter outer ring
$d_1$	86,8 mm	Shoulder diameter inner ring
a	61,6 mm	Distance between the apexes of the pressure cones
$\alpha$	25 °	Contact angle

**Mounting dimensions**

$d_{a min}$	79 mm	Minimum diameter shaft shoulder
$D_{a max}$	116 mm	Maximum diameter of housing shoulder
$r_{a max}$	1,5 mm	Maximum fillet radius

**Temperature range**

$T_{min}$	-20 °C	Operating temperature min.
$T_{max}$	100 °C	Operating temperature max.